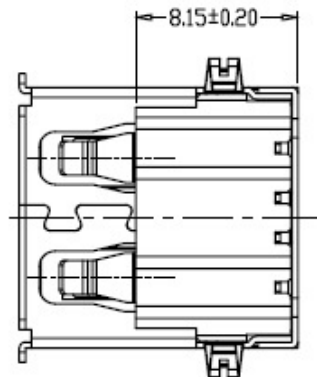
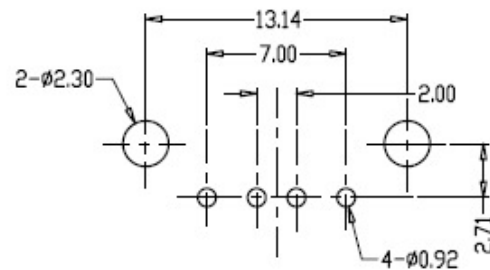
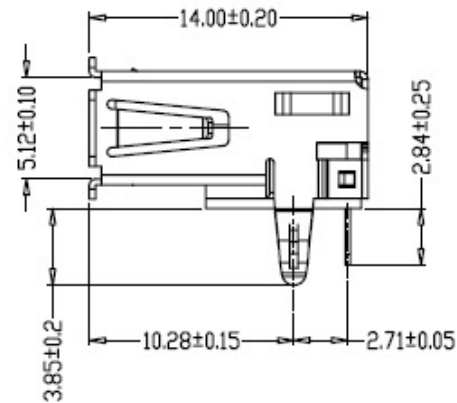
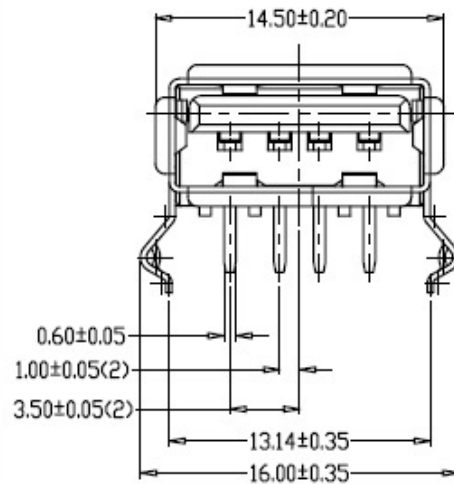
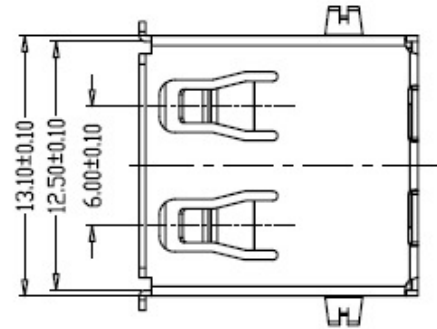
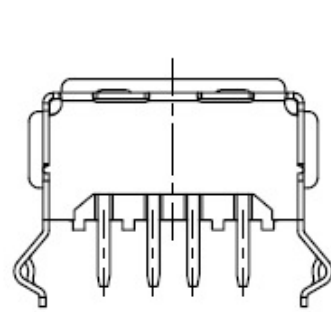


RoHS
Compliant



RECOMMENDED P.C.B HOLE LAYOUT
TOP VIEW (TOLERANCE: ±0.10)

Specification

1. Voltage Current Rating: 1AMP. 30V AC
2. Insulation Resistance: 1000 **MOhms Min.**
3. Contact Resistance: 30 **mOhms Max.**
4. Dielectric Withstanding Voltage: 500V AC
5. Temperature Range: -20°C to +60°C
Remark: 48Hours Guarantee by -30°C storage temperature
6. Mechanical Characteristics:
Insertion Force: 35 Newtons maximum
Extraction Force: 10 Newtons minimum

Part No.: USB A

Description: USB A Connector Side Entry

PRAN ELECTRONICS PVT. LTD
VADODARA, 390010.
INDIA.

Rev. 00: 5/3/2007